

HDW-B~G SERIES ORDERING INFORMATION

HDW	B	A	4	S
SERIES NAME	MODEL	TYPE	STEPS NUMBER	CABLE LENGTH

HDW

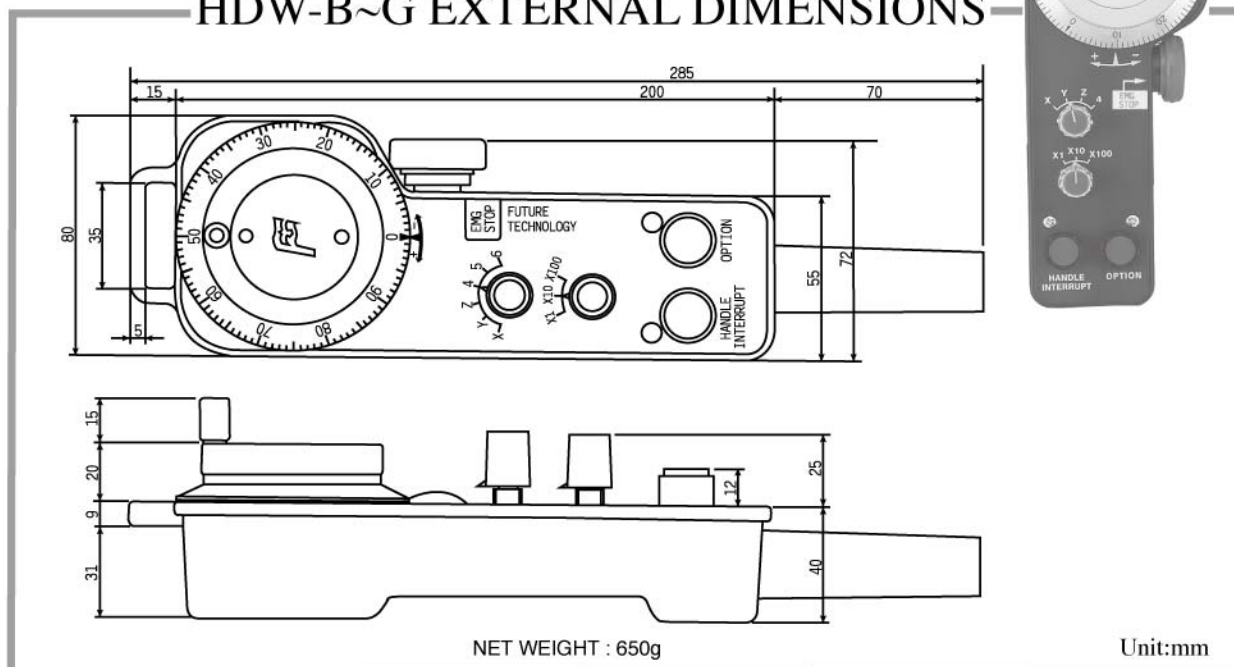
MODEL	OPTIONAL			
	BOX	PB1	PB2	EMG STOP
A	DIAL BODY ONLY			
B	●			
C	●	●		
D	●	●	●	
E	●			●
F	●	●		●
G	●	●	●	●

TYPE	SPECIFICATION		
	DC POWER	PULSE	OUTPUT TYPE
A	5V	100PPR	R330
B	5V	25PPR	R330
C	12V	100PPR	R2.0K
D	12V	25PPR	R2.0K
E	5V	100PPR	DIFF
F	5V	25PPR	DIFF
G	24V	100PPR	R2.0K
H	24V	25PPR	R2.0K

NUMBER	ROTARY SWITCH STEPS	
	3	PTP 3AXES
4	PTP 4AXES	
5	PTP 5AXES	
6	PTP 6AXES	
A	BCD 3AXES	
B	BCD 4AXES	
C	BCD 5AXES	
D	BCD 6AXES	

SIZE	
S	3M
L	5M

HDW-B~G EXTERNAL DIMENSIONS



Distributor:

REMOTE MANUAL PULSE GENERATOR